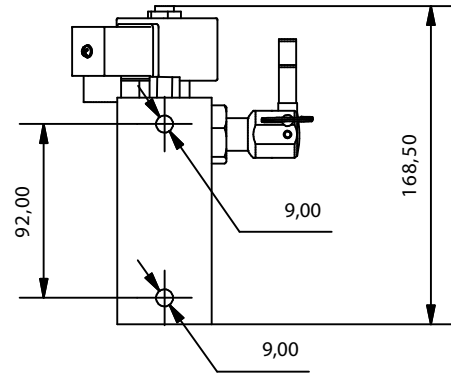
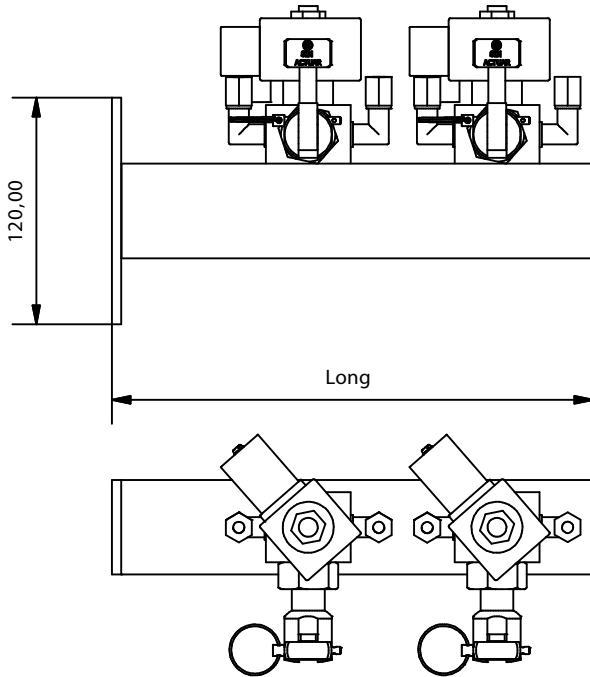
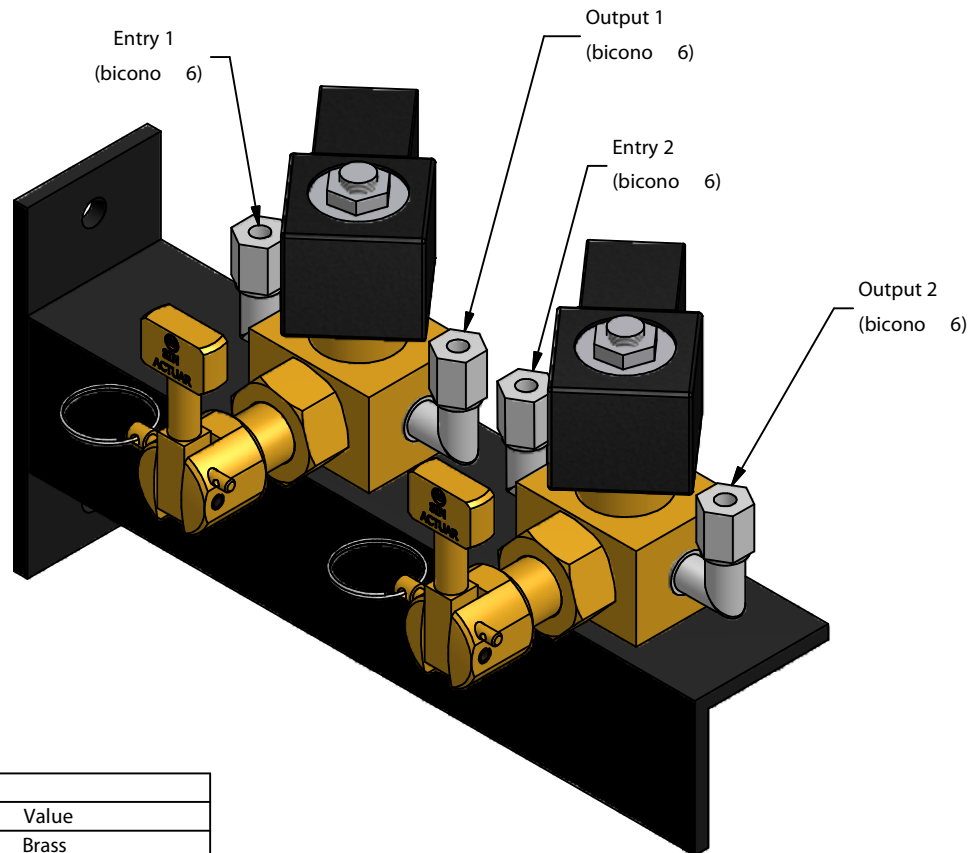


TRIGGER SYSTEM FOR DIRECTIONAL VALVES



Reference	Quantity	Long
AEX/SDR2	2	255 mm
AEX/SDR3	3	355 mm



Specifications	
Name	Value
Body material	Brass
Support Finished	Black paint (RAL 9005)

Description: The trigger system for directional valves is responsible for selecting the directional that corresponds to the risk to be protected.

Code sheet:	Group sheet:	Reference:	Drawn:	Date:	Revised:	Date:	Review:	Format:
AEX-FTC-09-037	IG-55	VER TABLA	DCM	28/04/2016	MRC	28/04/2016	1	A4